

# Auto Drain Valve(AD)



## ◆ SAD402 Series

- SAD series enable the condensed water in the compressed air line to be drained automatically.
- SAD series are possible to operate manually.



AD402

SAD

### ● How to order

**SAD 402 - 04 - MeF**

① Auto drain

② Body Size

402 - 1/2

③ Port Size

02 - Rc(PT) 1/4 "

03 - Rc(PT) 3/8 "

04 - Rc(PT) 1/2 "

④ Option

Nil - PC Bowl

Me - Metal Bowl

### ● Symbol



### ● Specification

Fluid	Compressed air
Max. supply pressure	1.5MPa [15.3 kgf/cm <sup>2</sup> ]
Max. operating pressure	1MPa [10.2 kgf/cm <sup>2</sup> ]
Regulating range	0.15~1.0MPa [1.5~10.2 kgf/cm <sup>2</sup> ]
Ambient and media temperature	5 ~ 60℃
Port size	1/4 · 3/8 · 1/2
Port size for drain	φ6
Weight(g)	364

### ● Precautions

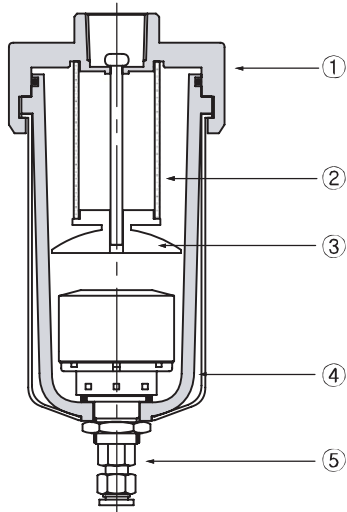
- ① Drain piping should be both 4mm or greater in diameter and less than 1m in length. Also should avoid upwards setting of drain piping and should be allowed the drainage to be on the wall surface of hose.
- ② The drainage hose installed should be straight.
- ③ When auto drain is out of order, it is possible to drain manually by operating one-touch-fitting vertically.

# SAD402 Series



## ● STRUCTURE / PARTS

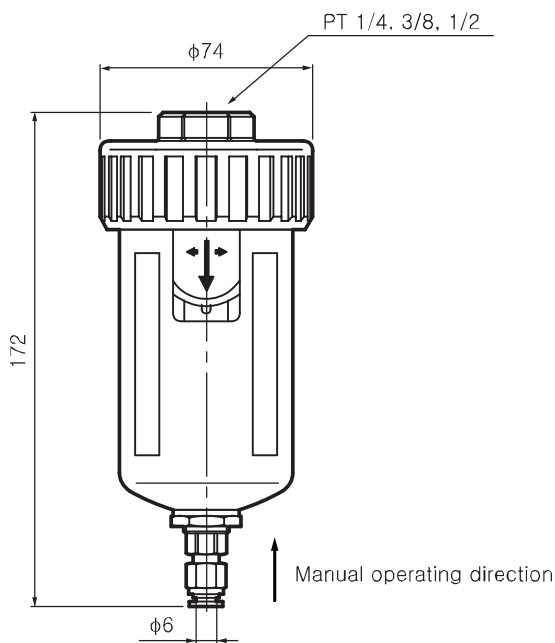
### SAD 402



No.	PARTS	MATERIAL
1	Body	ALDC
2	Element	Porous plastics
3	Buffer	ABS
4	Bowl	PC / ALDC
5	Auto-Drain Kit	

## ● DIMENSIONS(mm)

### SAD 402



### SAD 402-MeF

